

Double couplings

for Light bars one row

Nr.	System	A	B	C	øA	g
23320-E	AF 25	25	19	10	6,6	8
20793-E	AF 40	40	32	20	11	31
26931-E	AF 50	50	32	25	13,5	38

for Light bars rectangular

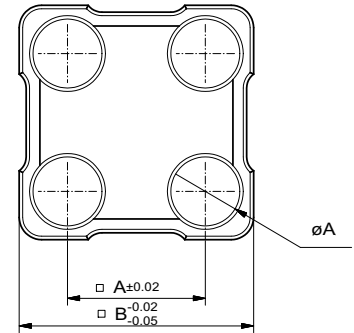
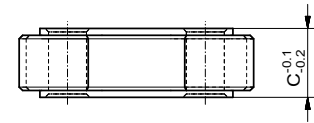
Nr.	System	A	B	C	øA	g
55316-E	AF 25	25	19	10	6,6	40
57212-E	AF 40	40	32	20	11	110

for Light bars two row

Nr.	System	A	B	C	øA	g
23330-E	AF 25	25	42	12,5	6,6	53
20791-E	AF 40	40	68	20	11	240
26850-E	AF 50	50	84	25	13,5	465

for Light bars three row

Nr.	System	A	B	C	øA	g
23615-E	AF 25	25	67	12,5	6,6	155
23616-E	AF 40	40	108	20	6,6	682
26851-E	AF 50	50	134	25	13,5	1.394



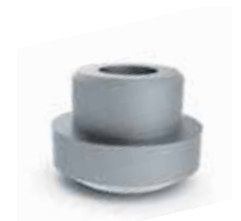
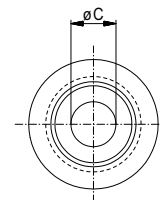
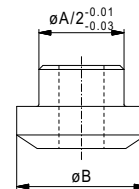
Double couplings for bar-bar connections.



Fixing sleeve

alternative to couplings

Nr.	A (AF)	B	C	for Profile	g
120527-E	25	17	6,6	50x50+25x50	8
120528-E	25	19	6,6	25x25	11
120529-E	40	28	11	80x80+40x80	33
120530-E	40	32	11	40x40	44
120531-E	50	34	13,5	100x100+50x100	63
120532-E	50	32	13,5	50x50	56



ALUFIX ECO elements can be anodized in different colours. The colour natural (-E) is standard, blue (-E2) is available as an alternative. Black (-E1) and other colours on request

Other dimensions on request