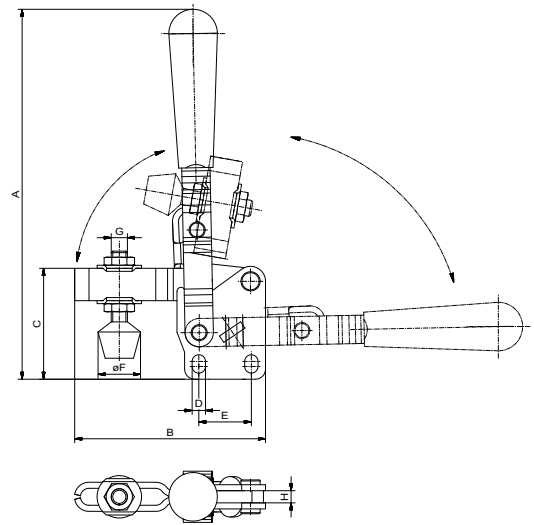


Toggle clamp

vertical, without foot

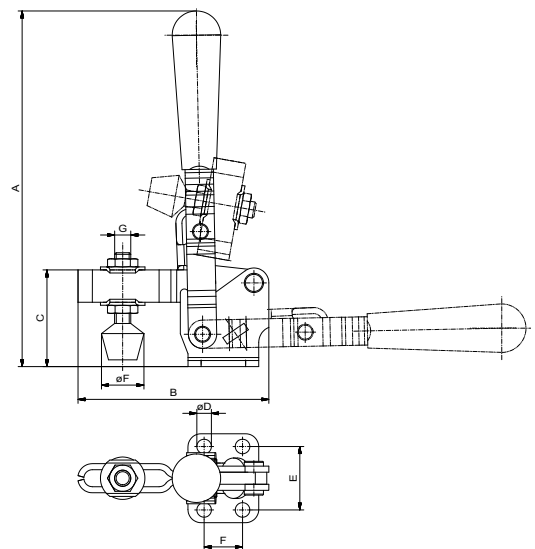
Nr.	A	B	C	D	E	F	G	H	
82420	183	95	55	6,6	26	21	M8	6	372



Toggle clamp

vertical, with foot

Nr.	A	B	C	D	E	F	G	
82418	175	95	48	7,2	31,4	19	M8	354



Standard colour for toggle clamps is silver, they are available in black on request (-1)

Other dimensions on request