

Hook Clamp Compact mini

Example dia 30

| A | B | C | D | E | F | G | H | |
|----|----|----|---|-----|----|----|---|-----|
| 30 | 50 | 80 | 9 | 129 | 80 | 20 | 9 | 955 |

1 Hook clamp basic unit

Compact mini

| Nr. | for pin dia | |
|--------|-----------------|-----|
| 282726 | 80mm (Standard) | 547 |

2 Top pin

Compact / Compact mini

| Nr. | pin dia | |
|--------|--------------|-----|
| 34389 | Ø15,0-0,02mm | 108 |
| 51512 | Ø20,0-0,02mm | 145 |
| 391436 | Ø25,0-0,02mm | 201 |
| 34388 | Ø30,0-0,02mm | 254 |
| 54120 | Ø40,0-0,02mm | 456 |

3 Support ring

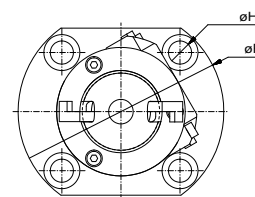
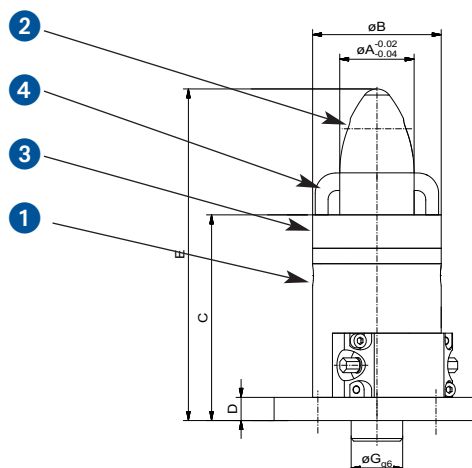
Compact / Compact mini

| Nr. | surface dia | |
|--------|-------------|-----|
| 53384 | Ø30mm | 106 |
| 56036 | Ø35mm | 115 |
| 26589 | Ø40mm | 128 |
| 390548 | Ø45mm | 106 |
| 26592 | Ø50mm | 110 |
| 33020 | Ø55mm | 152 |
| 397265 | Ø60mm | 182 |

4 Hook

Compact mini

| Nr. | clamping width | |
|--------|----------------|----|
| 311712 | 30mm | 34 |
| 311713 | 35mm | 36 |
| 311714 | 40mm | 38 |
| 311715 | 45mm | 44 |
| 311716 | 50mm | 44 |



Drive via hex key (access from two sides) and worm gear. Self adjusting to sheet metal thickness. Tool with pre set torque required (0,5Nm). Top pin and support ring are 100% compatible to existing hook clamps.



ALUFIX CLASSIC elements can be anodized in different colours. The colour natural is standard, black (-1) is available as an alternative. Other colours on request.

Other dimensions on request