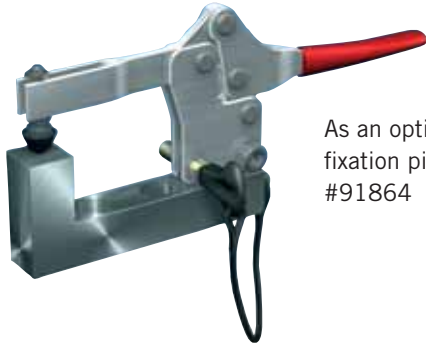


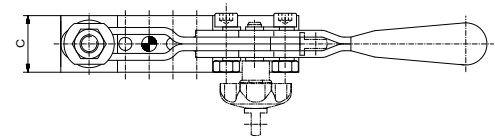
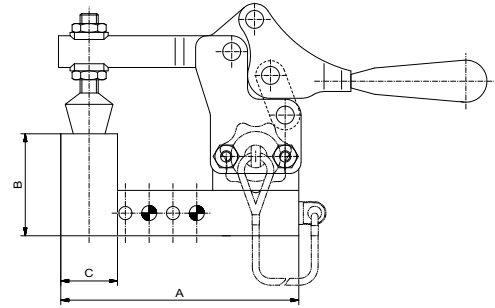
Horizontal Clamp Unit

with surface 25x25

Nr.	A	B	C	g
91654	105	45	25	170
91867	105	95	363	
91868	194	45	25	323
91871	194	95	25	410



As an option
fixation pin
#91864



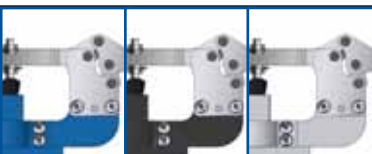
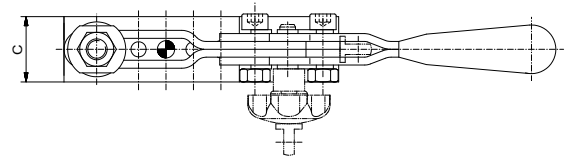
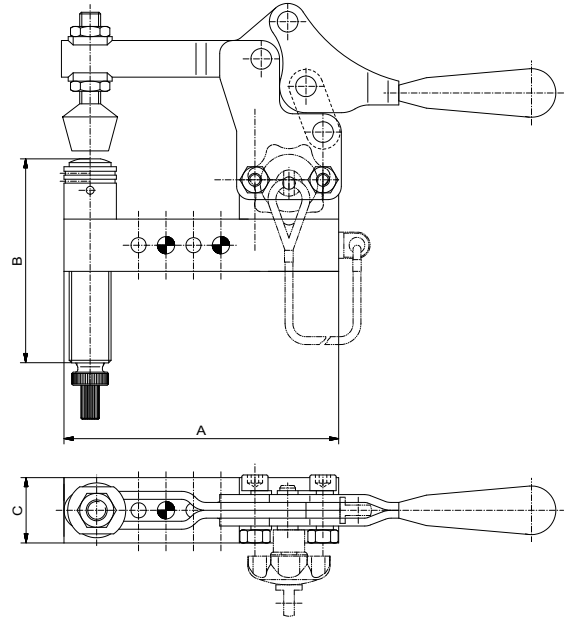
Horizontal Clamp Unit

with Meisterbock Screw, convex R18

Nr.	A	B	C	g
91653	105	78	25	158
91870	194	78	25	473



As an option
fixation pin #91864



i ALUFIX ratchet clamps can be anodized in different colours. The colour natural is standard, black (-1) is available as an alternative. Other colours on request.

i Toggle clamps included in supply are available in silver or black.

