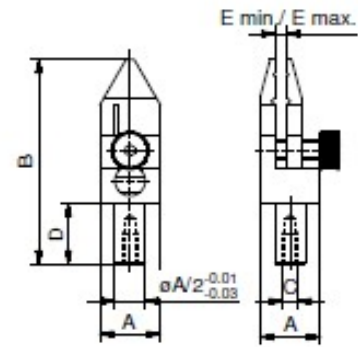


Parallel clamp NewXS 16 with exchangeable jaws

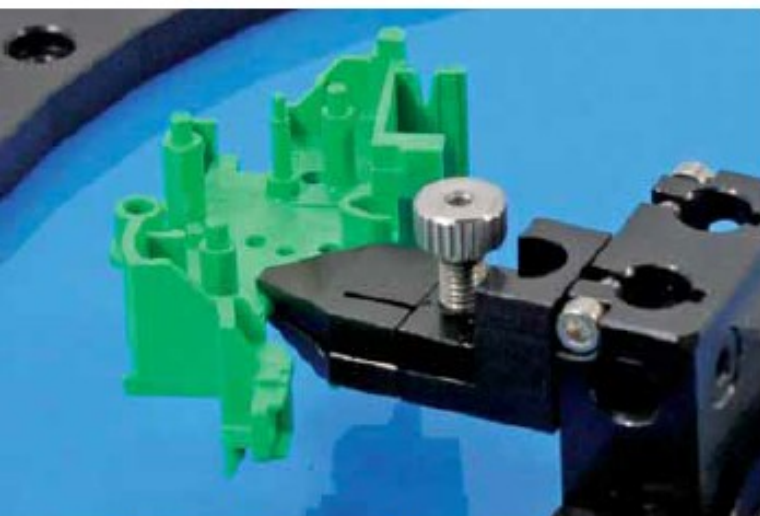
| Nr. | A | B | C | D | E min. | E max. | |
|----------|----|----|----|----|--------|--------|----|
| 284476-1 | 16 | 54 | M4 | 16 | 0 | 8 | 20 |



Exchangeable jaws also available in other versions on request



A push rod enables positioning from an angle



Parallel clamp in combination with clamp holder (p 12)



NewXS components can be anodized in different colours. Black (with suffix -1) is standard. Anodized natural is also available. Other colours on request.