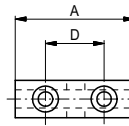
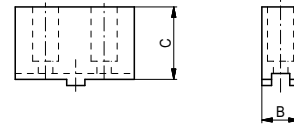


## Top jaws single

to use on base jaws, for 3 and 6 jaw keyless chucks

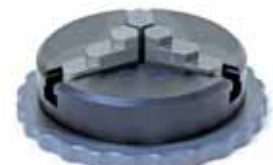
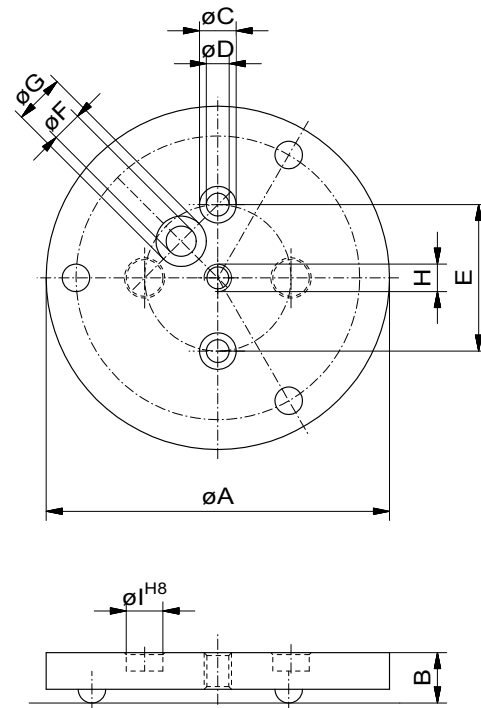
Nr	for $\varnothing$	A	B	C	D	Material	$\frac{g}{g}$
26288	50	20	5,9	12	10	EN AW-7075	3
26288-10	50	20	5,9	12	10	POM	2
26289	80	32	9,9	18	16	EN AW-7075	13
26289-10	80	32	9,9	18	16	POM	10
26290	125	52	15,9	28	24	EN AW-7075	50
26290-10	125	52	15,9	28	24	POM	43
26291	200	82	24,9	44	40	EN AW-7075	150
26291-10	200	82	24,9	44	40	POM	139



## Center plate

for 3 and 6 jaw keyless chucks

Nr	for $\varnothing$	A	B	C	D	E	F	G	H	I	$\frac{g}{g}$
82371	50	75	11	8	5	32	6,6	11	M6	8	100
82159	80	120	13	11	6,6	50	-	-	-	8	317
82344	125	187	18	11	6,6	75	-	-	-	8	493
82345	200	300	28	18	11	120	-	-	-	12,5	528



Special version hardslide coated  
3 jaw keyless chuck



**i** ALUFIX CLASSIC elements can be anodized in different colours. The colour natural is standard, black (-1) is available as an alternative. Other colours on request.

**i** Other dimensions on request