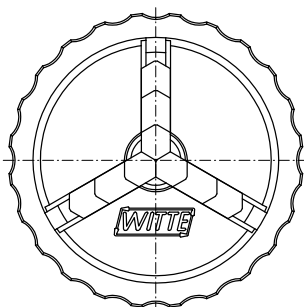
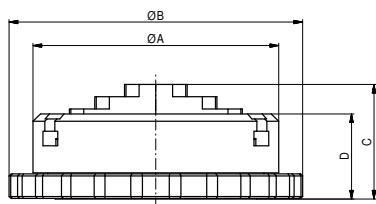


3 Jaw Keyless Chuck

for measuring applications



| Nr. | A | B | C | D | |
|-------|-----|-----|------|------|-------|
| 82220 | 50 | 60 | 23,4 | 17,3 | 95 |
| 82080 | 80 | 96 | 35 | 25 | 368 |
| 82125 | 125 | 146 | 53,1 | 38,4 | 1.330 |
| 82200 | 200 | 236 | 79,1 | 55,3 | 4.940 |



Concentricity base to part:
Repeatable accuracy max. 0,1mm, absolute accuracy 0,3mm

Further dimensions

3 jaw keyless chuck

| ø | A | B | C | D | E | F | G | H | I |
|-----|--------|--------|---------|---------|------|------|------|------|-------|
| 50 | 1-32 | 15-46 | 29-60 | 41-72 | 17,3 | 18,4 | 21 | 23,4 | 30,3 |
| 80 | 1-45 | 23-66 | 45-88 | 65-108 | 25,3 | 27 | 31 | 35 | 44,8 |
| 125 | 1,5-68 | 36-100 | 70-134 | 106-170 | 38,4 | 41,3 | 47,1 | 53,1 | 69 |
| 200 | 2-110 | 56-164 | 110-218 | 166-274 | 55,3 | 63,1 | 71,1 | 79,1 | 103,3 |

3 jaw keyless chuck with reversed jaws

| ø | A | B | C | D | E | F | G | H | I |
|-----|--------|--------|---------|---------|------|------|------|------|-------|
| 50 | 1-34 | 13-46 | 27-60 | 41-74 | 17,3 | 18,4 | 21 | 23,4 | 30,3 |
| 80 | 1-46 | 21-66 | 43-88 | 65-108 | 25,3 | 27 | 31 | 35 | 44,8 |
| 125 | 1,5-72 | 38-108 | 72-142 | 106-176 | 38,4 | 41,1 | 47,1 | 53,1 | 69 |
| 200 | 2-116 | 58-172 | 112-226 | 166-280 | 55,3 | 63,1 | 71,1 | 79,1 | 103,3 |

Preference item:
Articles with green diamond ->
are available ex stock!



-> Article colour anodized natural

-> Article colour anodized black