

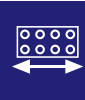
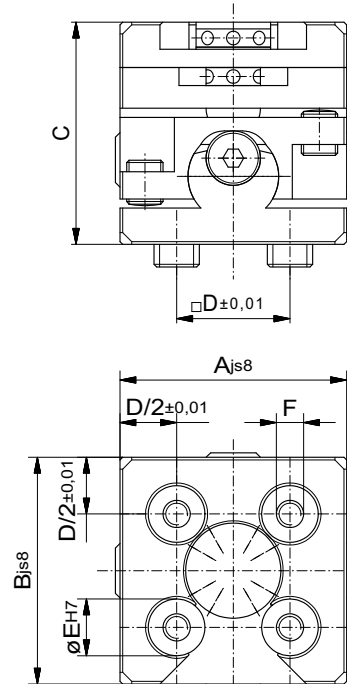
6D Adjustment block

for fine adjustment in six axes, centric clamping

Nr.	D (AF)	AxBxC	ϕE / F	linear x/y	linear z	rotation x/y	rotation z	
85340	25	50x50x50	12,5 / M6	+/- 2,0	+/- 1,5	+/- 12°	+/- 5°	318
85341	40	80x80x80	20 / M10	+/- 2,5	+/- 2,0	+/- 12°	+/- 5°	1.150
85390	50	100x100x100	25 / M12	+/- 3,0	+/- 2,5	+/- 12°	+/- 5°	2.482



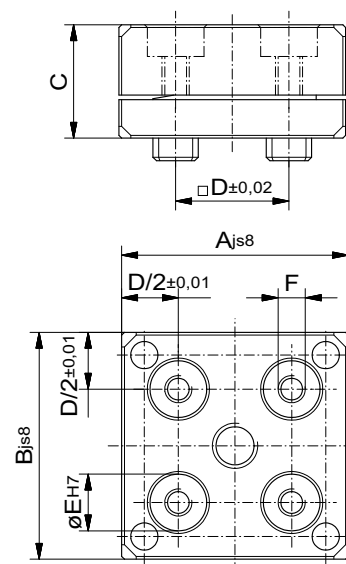
The 6D-adjustment block allows not only linear movement but also angled or rotated movement. Machining, assembly or workpiece tolerances can be easily evened out. Cylindrical guiding elements, which allow translatory and also rotary adjustment were incorporated into the design.



Levelling plate

for fine adjustment in one axis, screw clamping

Nr.	D(AF)	AxBxC	ϕE / F	shift	
91670	25	50x50x25	12,5 / M6	+/- 1,0	165
91671	40	80x80x40	20 / M10	+/- 1,3	680
91084	50	100x100x50	25 / M12	+/- 1,6	1.400



ALUFIX CLASSIC elements can be anodized in different colours. The colour natural is standard, black (-1) is available as an alternative. Other colours on request.