

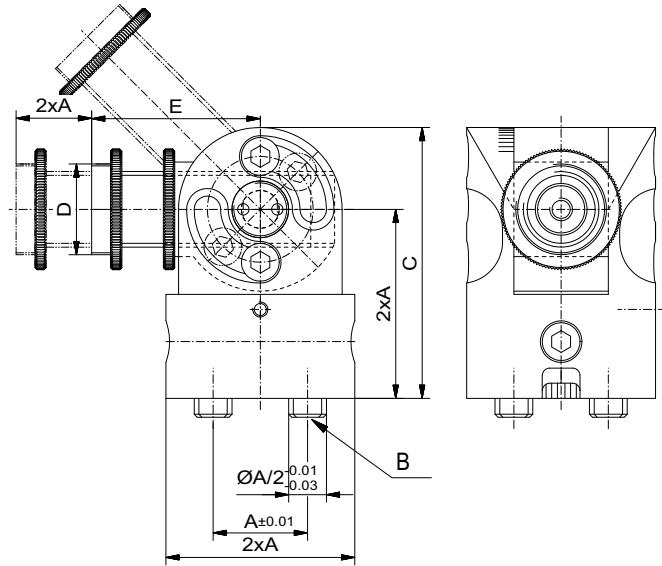
Rotary swing unit

with thread

Nr.	A (AF)	B	C	D	E	
93063	25	M6	72	24x1	44,6	342
99794	40	M10	115	32x1	69	750



Rotary swing unit 99794 for Alufix 40 with worm gear for fine adjustment in both rotating axes



Rotary swing unit

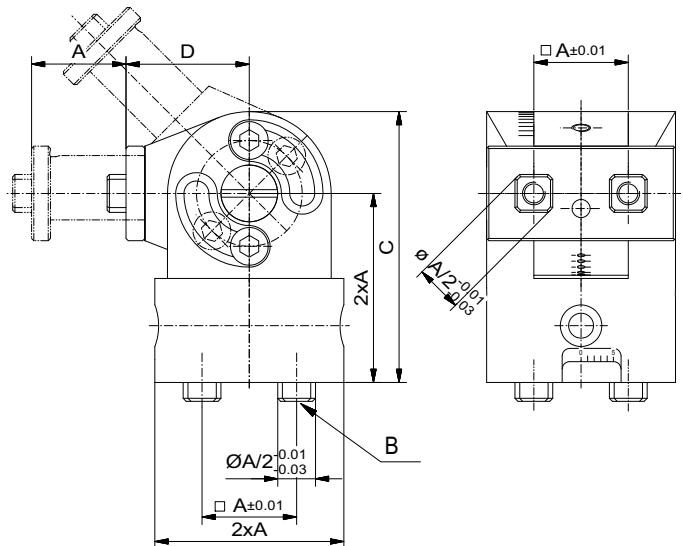
with nubs

Nr.	A (AF)	B	C	D	
93660	25	M6	72	32,6	370
99807	40	M10	115	50	750



Rotary swing unit 99807 for Alufix 40 with worm gear for fine adjustment in both rotating axes

Rotary swing unit 93660 and 99794 for Alufix 40 with fine adjustment



ALUFIX CLASSIC elements can be anodized in different colours. The colour natural is standard, black (-1) is available as an alternative. Other colours on request.