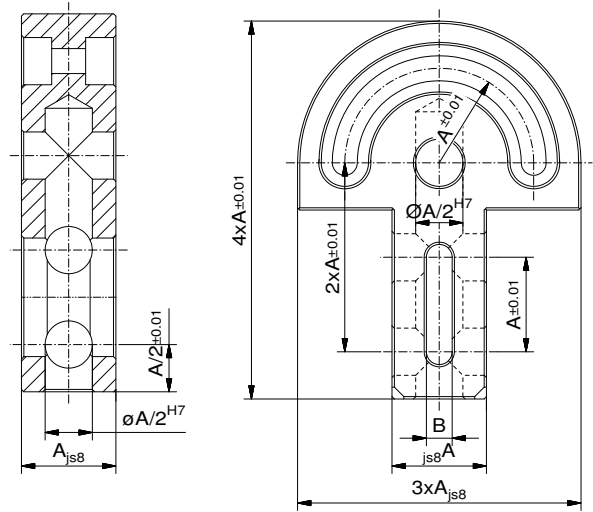


## Swivel-T

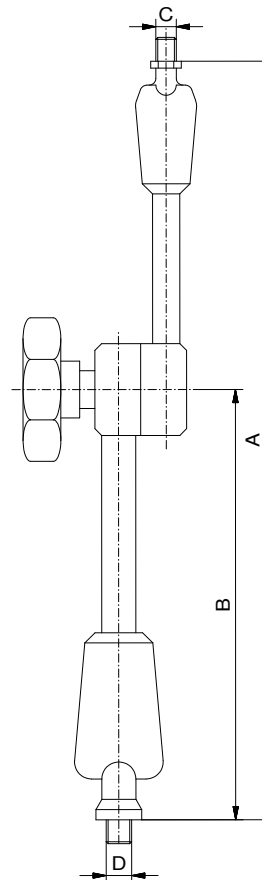
Nr.	A (AF)	B	
30667	25	6,8	195



## Swivel arm AF 25

with joint

Nr.	A	B	C	D	max. load	
85411	130	70	M6	M6	30 N	135
82121	205	115	M6	M8	40 N	282
82122	285	175	M6	M8	70 N	687



Special connection elements for swivel arms on page 154



**ALUFIX CLASSIC** elements can be anodized in different colours. The colour natural is standard, black (-1) is available as an alternative. Other colours on request.